

Register your instrument!
www.eppendorf.com/myeppendorf



Eppendorf Reference[®] 2

Operating manual

Copyright© 2019 Eppendorf AG, Germany. All rights reserved, including graphics and images. No part of this publication may be reproduced without the prior permission of the copyright owner.

Eppendorf® and the Eppendorf logo are registered trademarks of Eppendorf AG, Germany. epT.I.P.S.®, and Reference® 2 are registered trademarks of Eppendorf AG, Germany.

Registered trademarks and protected trademarks are not marked in all cases with ® or ™ in this manual.

U.S. Patents are listed on www.eppendorf.com/ip

Table of contents

1	Operating instructions	6
1.1	Using this manual	6
1.2	Danger symbols and danger levels	6
1.2.1	Danger symbols	6
1.2.2	Danger levels	6
1.3	Symbols used	6
2	Safety	7
2.1	Intended use	7
2.2	Warnings for intended use	7
3	Product description	8
3.1	Features	8
3.1.1	Pipette models	8
3.2	Delivery package	9
3.2.1	Accessories – single-channel pipettes	9
3.2.2	Accessories – multi-channel pipettes	9
3.3	Product overview	10
3.4	Materials	12
4	Operation	13
4.1	Setting the volume	13
4.2	Attaching the pipette tips	13
4.3	Optimum immersion depths	14
4.4	Forward pipetting	14
4.4.1	Aspirating liquid	14
4.4.2	Dispensing liquid	14
4.4.3	Ejecting the pipette tip	14
4.5	Reverse pipetting	14
4.5.1	Aspirating liquid	15
4.5.2	Dispensing liquid	15
4.5.3	Ejecting the pipette tip	15
4.6	Storing the pipette	15
5	Troubleshooting	16
5.1	Control button	16
5.2	Dispensing	16
5.3	Pipette tip	16
5.4	Tip cone	16

6	Maintenance	17
6.1	Disassembling the single-channel pipette $\leq 1000 \mu\text{L}$	17
6.1.1	Removing the lower part	17
6.1.2	Disassembling the lower part	18
6.2	Disassembling the single-channel pipette $\geq 2 \text{ mL}$	19
6.2.1	Removing the lower part	19
6.2.2	Disassembling the lower part	20
6.3	Assembling the single-channel pipette $\leq 1000 \mu\text{L}$	20
6.4	Assembling the single-channel pipette $\geq 2 \text{ mL}$	21
6.4.1	Assembling the lower part	21
6.4.2	Checking the function	21
6.5	Replacing the protection filter $\geq 2 \text{ mL}$	21
6.6	Disassembling the multi-channel pipette	22
6.6.1	Removing the lower part	22
6.6.2	Opening the lower part	22
6.6.3	Removing the channel	23
6.6.4	Assembling the multi-channel lower part	24
6.6.5	Checking the function	24
6.7	Replacing the O-ring	24
6.7.1	Removing the O-ring	24
6.7.2	Mounting a new O-ring	24
6.8	Deactivating the spring loading of the tip cone	24
6.8.1	Deactivating the spring load – single-channel pipettes $\leq 1000 \mu\text{L}$	25
6.8.2	Deactivating the spring load – multi-channel pipettes	25
6.9	Adjusting the pipette	25
6.10	Cleaning	25
6.10.1	Cleaning and disinfecting the pipette	26
6.10.2	Cleaning and disinfecting the lower part	26
6.10.3	Sterilizing the pipette with UV light	26
6.11	Autoclaving the pipette	26
6.11.1	Autoclaving	27
6.12	Decontamination before shipment	27

7	Technical data	28
7.1	Increments of the single-channel and multi-channel pipettes	28
7.2	Ambient conditions	28
8	Measurement deviations according to Eppendorf AG	29
8.1	Single-channel pipette with fixed volume	29
8.2	Single-channel pipette with variable volume	30
8.3	Multi-channel pipette	31
8.4	Test conditions	31
9	Ordering information	32
9.1	Single-channel pipettes, variable volume	32
9.2	Single-channel pipettes, fixed volume	32
9.3	Multi-channel pipettes	33
9.4	Spare parts, accessories and pipette tips	33

1 Operating instructions





1.1 Using this manual

- ▶ Read this operating manual completely before using the device for the first time. Also observe the instructions for use of the accessories.
- ▶ This operating manual is part of the product. Thus, it must always be easily accessible.
- ▶ Enclose this operating manual when transferring the device to third parties.
- ▶ You will find the current version of the operating manual for all available languages on our website under www.eppendorf.com/manuals.

1.2 Danger symbols and danger levels

1.2.1 Danger symbols

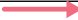

The safety instructions in this manual have the following danger symbols and danger levels:

	Biohazard		Hazard point
	Toxic substances		Material damage

1.2.2 Danger levels

DANGER	<i>Will</i> lead to severe injuries or death.
WARNING	<i>May</i> lead to severe injuries or death.
CAUTION	May lead to light to moderate injuries.
NOTICE	May lead to material damage.

1.3 Symbols used

Depiction	Meaning
1.	Actions in the specified order
2.	
▶	Actions without a specified order
•	List
	Direction of movement
<i>Text</i>	Display text or software text
	Additional information

2 Safety

2.1 Intended use

The Reference 2 pipette is designed and constructed for low-contamination transfer of liquids. It is intended exclusively for use in research. This pipette is intended exclusively for indoor use, and for operation by trained and skilled personnel.

2.2 Warnings for intended use



WARNING! Damage to health due to infectious liquids and pathogenic germs.

- ▶ When handling infectious liquids and pathogenic germs, observe the national regulations, the biological security level of your laboratory, the material safety data sheets, and the manufacturer's application notes.
- ▶ Wear personal protective equipment.
- ▶ For comprehensive regulations about handling germs or biological material of risk group II or higher, please refer to the "Laboratory Biosafety Manual" (source: World Health Organization, Laboratory Biosafety Manual, in its respectively current valid version).



WARNING! Damage to health due to toxic, radioactive or aggressive chemicals.

- ▶ Wear personal protective equipment.
- ▶ Observe the national regulations for handling these substances.
- ▶ Observe the material safety data sheets and manufacturer's application notes.



CAUTION! Danger to individuals due to careless use

- ▶ Never point the opening of the device toward yourself or others.
- ▶ Only initiate liquid dispensing if it is safe to do so.
- ▶ With any dispensing task please ensure that you do not endanger yourself and other persons.



CAUTION! Poor safety due to incorrect accessories and spare parts.

The use of accessories and spare parts other than those recommended by Eppendorf may impair the safety, functioning and precision of the device. Eppendorf cannot be held liable or accept any liability for damage resulting from the use of incorrect or non-recommended accessories and spare parts, or from the improper use of such equipment.

- ▶ Only use accessories and original spare parts recommended by Eppendorf.



NOTICE! Damage to device from missing pipette tips.

- ▶ Use the pipette with fitted pipette tips only.



NOTICE! Incorrect dispensing volume with special liquids and due to temperature differences.

Solutions with physical data very different than water or differences in temperature between pipette, pipette tip and liquid can result in faulty dispensing volumes.

- ▶ Avoid temperature differences between the pipette, pipette tip and liquid.



NOTICE! Damage to the device due to penetration of liquids.

- ▶ Do not set the pipette aside when the pipette tip is filled.
 - ▶ Do not allow any liquids to penetrate the inside of the housing.
-

3 Product description

3.1 Features

The Reference 2 pipette is a piston-stroke pipette for aspirating and dispensing liquids. The pipette operates according to the air cushion principle. A suitable pipette tip must be fitted prior to use. The dispensing, volume setting ring and ejector are controlled with the control button. Depending on the model, volumes between 0.1 μL and 10 mL can be dispensed.

3.1.1 Pipette models

Different variants are available:

- Single-channel pipettes with fixed volume (fix)
- Single-channel pipettes with variable volume setting
- Multi-channel pipettes with 8 or 12 channels and variable volume setting

3.2 Delivery package

Quantity	Description
1	Reference 2
1	Operating manual
1	Certificate
1	Adjustment seal for user adjustment
2	Adjustment seal for factory adjustment
1	Pin (remove adjustment seal)

3.2.1 Accessories – single-channel pipettes

Quantity	Description
1	Locking ring ($\leq 1000 \mu\text{L}$)
1	Filter sleeve ($\geq 2 \text{ mL}$)
10	Filter cartridges ($\geq 2 \text{ mL}$)
1	Pipette wrench ($\geq 2 \text{ mL}$)
1	Reusable box with pipette tips ($\leq 1000 \mu\text{L}$)
1	Bag with pipette tips ($\geq 2 \text{ mL}$)

3.2.2 Accessories – multi-channel pipettes

Quantity	Description
1	Multi-channel tool (100 μL and 300 μL)

3.3 Product overview

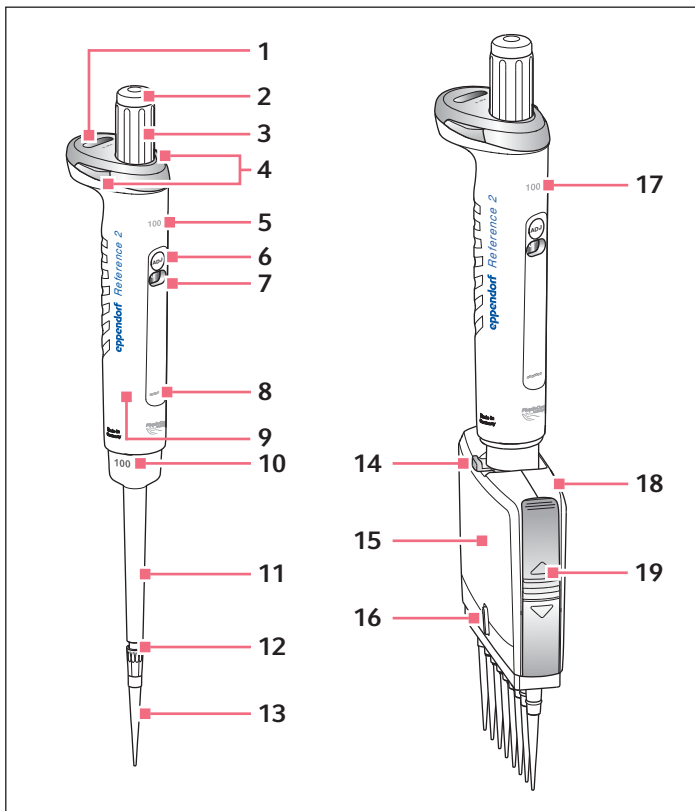


Fig. 3-1: Single-channel pipette and multi-channel pipette

- | | | | |
|----|--|----|---|
| 1 | Volume display | 11 | Ejector sleeve |
| 2 | Color code | 12 | Tip cone |
| 3 | Control button | 13 | Pipette tip |
| 4 | Volume catch | 14 | Lever |
| 5 | Single-channel upper part
with nominal volume | 15 | Multi-channel lower part |
| 6 | User adjustment | 16 | Switch spring load (On/Off) |
| 7 | User adjustment display | 17 | Multi-channel upper part
with nominal volume |
| 8 | Serial number | 18 | Housing lid |
| 9 | RFID chip | 19 | Latch |
| 10 | Single-channel lower part
with nominal volume | | |

3.4 Materials



NOTICE! Aggressive substances may damage the pipette, pipette tip and accessories.

- ▶ Check the resistance to chemicals before using organic solvents or aggressive chemicals.
- ▶ Only use liquids whose vapors do not corrode the used materials.
- ▶ Observe the cleaning instructions.

The components of the pipette which can be accessed by the user are made of the following materials:

Assembly	Material
External surfaces of the upper part	<ul style="list-style-type: none"> • Improved polypropylene (PP) • Polycarbonate (PC) • Polyetherimide (PEI) • Stainless steel
Viewing window	<ul style="list-style-type: none"> • Polycarbonate (PC)
Exterior and interior of lower parts	<ul style="list-style-type: none"> • Improved polypropylene (PP) • Polyvinylidene fluoride (PVDF) • Polyetherimide (PEI) • Polyphenylene sulfide (PPS) • Polyetheretherketone (PEEK) • Polytetrafluoroethylene (PTFE) • Ethylene propylene diene rubber (EPDM) • Silicone • Steel (stainless steel and spring steel)

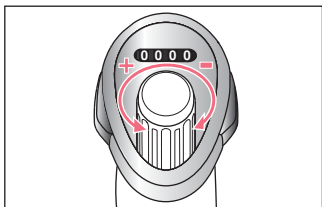


You can find information on the resistance to chemicals on our website www.eppendorf.com/manuals.

4 Operation

4.1 Setting the volume

- i** Set the volume from a high to a low value. If necessary, exceed the desired volume and then go back.



1. Keep the volume catch pressed.
2. Turn the control button.

4.2 Attaching the pipette tips

The pipette tip can be attached by hand or mounted directly from a tip holder (tray) with the pipette.

- i** The pipette tips are single-use items.
- i** The control button and the trays are color-coded. The color marks the pipette size and the volume of the pipette tip (epT.I.P.S.).



1. Insert the tip cone into the pipette tip using light force.

4.3 Optimum immersion depths

Volume	Immersion depth
0.1 μL – 1 μL	1 mm
1 μL – 100 μL	2 – 3 mm
100 μL – 1000 μL	2 – 4 mm
1 mL – 10 mL	3 – 5 mm

4.4 Forward pipetting

4.4.1 Aspirating liquid

Prerequisites

- The pipette tip has been attached.

i To ensure maximum precision and accuracy, we recommend initially wetting each new tip by aspirating and dispensing the liquid one to three times.

- Press down the control button to the first stop.
- Immerse the pipette tip vertically in the liquid.
- Maintain the immersion depth and let the control button slide back slowly.
Liquid is aspirated into the pipette tip.
- Wait approx. 3 seconds.
- Remove the pipette tip from the liquid.

i If necessary, wipe the pipette tip against the tube inner wall.

4.4.2 Dispensing liquid

- Place the pipette tip on the tube inner wall at a steep angle.
- Slowly press down the control button to the first stop.
The liquid is dispensed.
- Wait until the flow of liquid stops.
- Press down the control button to the second stop.
The pipette tip is completely emptied.
- Hold down the control button and wipe the pipette tip on the tube inner wall.

4.4.3 Ejecting the pipette tip

- Press the control button down all the way.
The pipette tip is ejected.

4.5 Reverse pipetting

An additional volume (blow out) is aspirated when performing reverse pipetting. This can improve dispensing results for viscous or foaming liquids. Volume limits may occur when using filter tips.

4.5.1 Aspirating liquid

1. Press down the control button to the second stop.
2. Immerse the pipette tip vertically in the liquid.
3. Maintain the immersion depth and let the control button slide back slowly.
Liquid is aspirated into the pipette tip.
4. Wait approx. 3 seconds.
5. Remove the pipette tip from the liquid.

i If necessary, wipe the pipette tip against the tube inner wall.

4.5.2 Dispensing liquid

1. Place the pipette tip on the tube inner wall at a steep angle.
2. Slowly press down the control button to the first stop.
The liquid is dispensed.
3. Wait until the flow of liquid stops.
4. Hold down the control button and wipe the pipette tip on the tube inner wall.
Residual liquid remains in the pipette tip.
During dispensing, the additional volume (blow out) does not belong to the dispensing volume.

4.5.3 Ejecting the pipette tip

1. Press down the control button to the second stop.
The residual liquid is dispensed.
The residual liquid can be discarded.
2. Press the control button down all the way.
The pipette tip is ejected.

4.6 Storing the pipette

The pipette can be stored in a pipette carousel, a wall mount or in horizontal position.

5 Troubleshooting

5.1 Control button

Problem	Cause	Solution
Control button jams.	• The lower part is dirty.	▶ Clean and grease the lower part.
	• Seal defective.	▶ Replace seal.
	• Protection filter is clogged.	▶ Replace the protection filter (2 mL – 10 mL).

5.2 Dispensing

Problem	Cause	Solution
Liquid is dripping.	• Pipette tip is loose.	▶ Attach the pipette tip firmly. ▶ Deactivate the spring load. ▶ Use the pipette tip epT.I.P.S..
	• Seal defective.	▶ Replace seal.
	• Defective o-ring.	▶ Replace o-ring.
	• Dispensed liquid has high vapor pressure.	▶ Pre-wet the pipette tip several times.
Wrong dispensing volume.	• The tip cone is damaged.	▶ Replace lower part (single-channel pipette). ▶ Replace channel (multi-channel pipette).
	• Dispensed liquid has high vapor pressure or a deviating density.	▶ Adjust the pipette for the liquid used.

5.3 Pipette tip

Problem	Cause	Solution
Pipette tip is loose.	The pipette tip is not compatible.	▶ Use epT.I.P.S. pipette tips. ▶ Use the correct size.
	Higher attachment forces are required.	▶ Attach the pipette tip firmly. ▶ Deactivate the spring load.

5.4 Tip cone

Problem	Cause	Solution
No spring-loaded action of tip cone.	The spring-loaded action is blocked (single-channel).	▶ Remove locking ring.
	Spring loading is switched off (multi-channel).	▶ Switch on spring loading.

6 Maintenance

6.1 Disassembling the single-channel pipette $\leq 1000 \mu\text{L}$

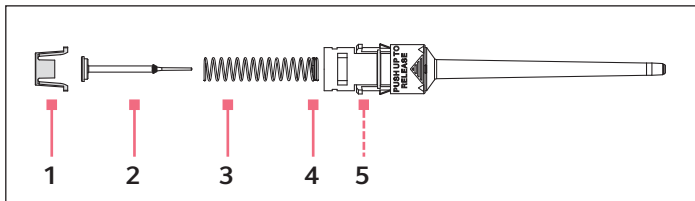


Fig. 6-2: Single-channel lower part $\leq 1000 \mu\text{L}$

1 Piston mount

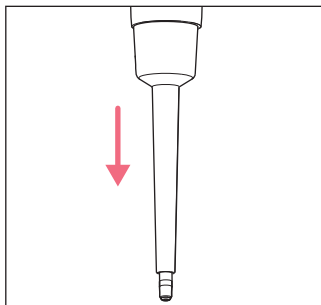
2 Piston

3 Piston spring

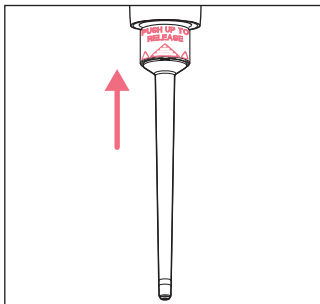
4 Double coil

5 Cylinder (internal)

6.1.1 Removing the lower part



1. Press the control button completely down and hold.
2. Remove the ejector sleeve and release the control button.

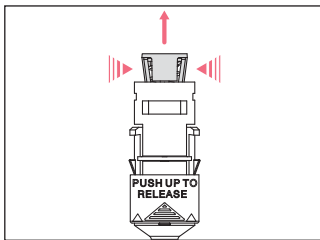


3. Push the ring "**PUSH UP TO RELEASE**" upward until the lower part is detached.
4. Take out the lower part.

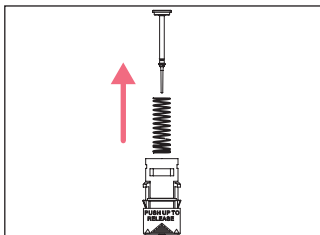
6.1.2 Disassembling the lower part

Prerequisites

- The ejector sleeve has been removed.
- The lower part has been removed from the upper part.



1. Squeeze the stop pins at the piston mount.
2. Remove the piston mount.



3. Remove the piston spring and the piston.
4. Remove the piston from the piston spring (Not possible for pipettes with blue control button).

6.2 Disassembling the single-channel pipette ≥ 2 mL

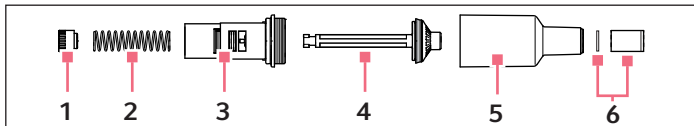


Fig. 6-3: Single-channel lower part ≥ 2 mL

1 Piston mount

2 Piston spring

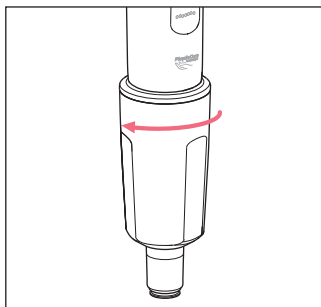
3 Piston guide

4 Piston

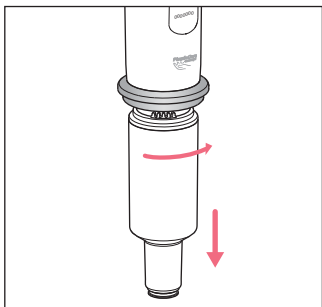
5 Cylinder with tip cone

6 Filter sleeve with protection filter

6.2.1 Removing the lower part



1. Unscrew the ejector sleeve.

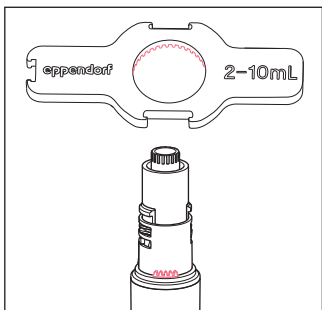


2. Hold the control button completely pressed down.
3. Turn the lower part toward the right approx. 30°. The lower part is released from the upper part.

6.2.2 Disassembling the lower part

Prerequisites

- The lower part has been removed.



1. Place the pipette wrench onto the lower part.
2. Hold the cylinder and unscrew it from the lower part.

6.3 Assembling the single-channel pipette $\leq 1000 \mu\text{L}$

1. Insert the piston spring.



If using piston springs with double coil, this must point down.

2. Carefully insert the piston into the cylinder from the top.
3. Compress the piston spring with piston and hold.
4. Squeeze the stop pins at the piston mount and attach them.
5. Press on the piston from above and check for free movement.

The piston must be able to move freely without resistance.

6. Insert the lower part into the upper part until it engages.
7. Fit the ejector sleeve.

6.4 Assembling the single-channel pipette ≥ 2 mL

6.4.1 Assembling the lower part

1. Insert the piston into the piston guide.
2. Insert the piston spring into the piston guide.
3. Attach the piston mount and press the piston spring into the piston guide.
4. Turn the piston mount by 90° and let it engage.
5. Insert the lower part into the upper part until it engages.
6. Attach and tighten the ejector sleeve.

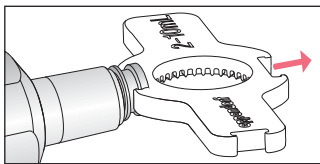
6.4.2 Checking the function

This inspection ensures that the pipette has been assembled correctly.

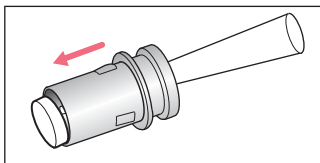
- ▶ Carry out a gravimetric test of the systematic and random errors.

6.5 Replacing the protection filter ≥ 2 mL

The protection filter in the tip cone must be replaced after every contact with liquids.

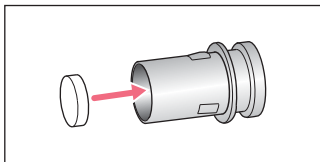


1. Place a pipette wrench with the appropriate opening onto the filter sleeve.
2. Pull out the filter sleeve.

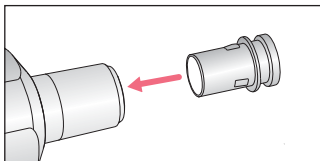


3. Use a pipette tip to push out the filter.

4. Clean the filter sleeve.



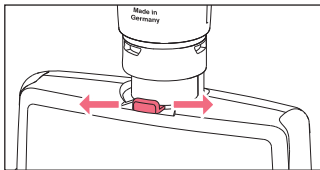
5. Insert a new protection filter into the filter sleeve.



6. Insert the filter sleeve in the tip cone.

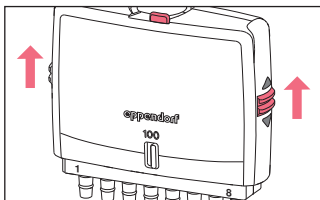
6.6 Disassembling the multi-channel pipette

6.6.1 Removing the lower part



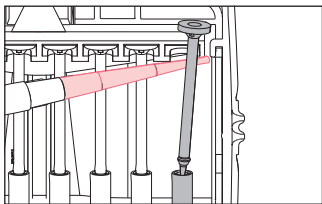
1. Set the volume to the nominal volume.
2. Turn the spring load switch to **On**.
3. Move the lever to one side and hold.
The lower part is being unlocked.
4. Remove the lower part.

6.6.2 Opening the lower part

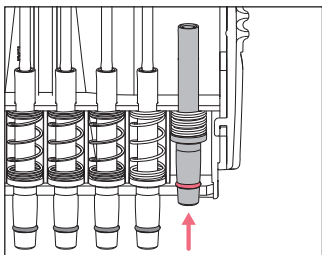


1. Hold the lower part with the lever pointing downward.
2. Push the side latch upward and remove the latch.
3. Remove the cover plate.

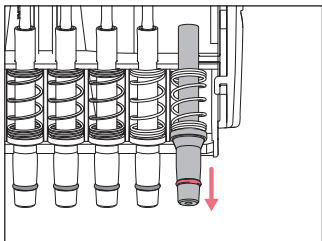
6.6.3 Removing the channel



1. Carefully release the piston from the upper rail and move upward to remove.



2. Slightly push the tip cone in and remove it from the lower rail.



3. Decompress the spring and pull the cylinder with spring out of the center rail.

6.6.3.1 Fitting the channel

1. Insert the spring with cylinder into the center rail.
2. Compress the spring with the cylinder and insert the cylinder into the lower rail.
3. Insert the piston into the cylinder.
4. Insert the piston into the upper rail.

6.6.4 Assembling the multi-channel lower part

1. Attach the cover plate.
2. Attach the side latches and slide down.
3. Insert the lower part into the upper part until it engages.

6.6.5 Checking the function

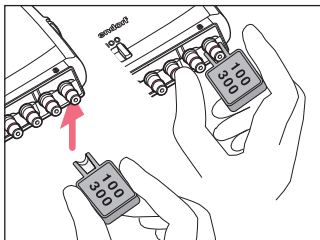
This inspection ensures that the pipette has been assembled correctly.

- ▶ Carry out a gravimetric test of the systematic and random errors.

6.7 Replacing the O-ring

The O-rings must be replaced in the case of wear or damage.

6.7.1 Removing the O-ring



1. Deactivate the spring load of the tip cones.
2. Attach the multi-channel tool to the tip cone with the opening.
3. Supporting the multi-channel tool with your thumb, push it firmly against the tip cone.
The O-ring is cut at one location.
4. Remove the multi-channel tool and the O-ring.

6.7.2 Mounting a new O-ring

1. Attach the new O-ring to the tip cone and press it into the groove with the finger.
2. Attach the pipette tip.
3. Check firm fit and leak tightness of the pipette tip.

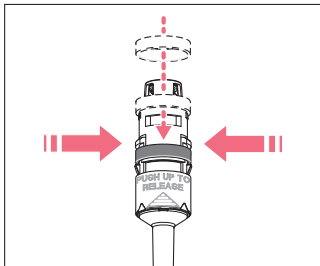
6.8 Deactivating the spring loading of the tip cone

The tip cone of the pipettes with a nominal volume of up to 1000 μL gives when the pipette tip is attached. This ensures optimum fit of the pipette tip and the attachment forces are kept low. If higher attachment forces are required, the spring load can be deactivated.

6.8.1 Deactivating the spring load – single-channel pipettes $\leq 1000 \mu\text{L}$

Prerequisites

- The ejector sleeve has been removed.
- The lower part has been detached.



1. Lightly squeeze the clamps on the lower part and push the black locking ring onto the lower part from the top.
2. Insert the lower part and attach the ejector sleeve.

6.8.2 Deactivating the spring load – multi-channel pipettes

- ▶ Turn the switch spring load to Off.

6.9 Adjusting the pipette

- i** The execution of changes to the user adjustment and factory adjustment is described on our website www.eppendorf.com/manuals.

6.10 Cleaning



NOTICE! Damage to device from unsuitable cleaning fluids or sharp or pointed objects.

Unsuitable cleaning agents can damage the device.

- ▶ Never use corrosive cleaning agents, strong solvents or abrasive polishes.
- ▶ Check the compatibility with the materials used.
- ▶ Please note the information on chemical resistance.
- ▶ Do **not** clean the device with acetone or organic solvents with a similar effect.
- ▶ Do **not** clean the device with sharp objects.



NOTICE! Damage to the device due to penetration of liquids.

- ▶ Do not set the pipette aside when the pipette tip is filled.
- ▶ Do not allow any liquids to penetrate the inside of the housing.

6.10.1 Cleaning and disinfecting the pipette

All single and multi-channel lower parts are wear parts. Clean them after contamination, use of aggressive chemicals and/or heavy stress. If the lower parts are worn or damaged, replace these parts.

1. Moisten a cloth with a cleaning agent and a decontamination agent.
2. Remove external contamination.
3. Moisten a new cloth with water.
4. Wipe down the housing.

6.10.2 Cleaning and disinfecting the lower part

Prerequisites

- Heavy contamination caused by ingress of liquid must be removed.
- Lower part has been removed and disassembled.

1. Remove piston grease.
2. Rinse the lower part with cleaning agent or decontamination agent or let it soak.



Observe the contact time recommended by the manufacturer.

3. Thoroughly rinse the lower part with demineralized water.
4. Let it dry.
5. Lubricate the piston or cylinder.



See instructions for use "Grease for pipettes".

6. Assemble the lower part.

6.10.3 Sterilizing the pipette with UV light

The pipette can be sterilized with UV light at 254 nm.



6.11 Autoclaving the pipette



NOTICE! Damage to device from incorrect handling.

- ▶ Do not use any additional disinfectants, decontamination agents or sodium hypochlorite during autoclaving or UV irradiation.



6.11.1 Autoclaving

-  Autoclave the filter sleeve and the protection filter separately.
-  Upper part and lower part can be autoclaved in assembled state. The lower part does not have to be disassembled.

Prerequisites

- The pipette has been cleaned.
- Any residual cleaning agent has been removed.
- The protection filter has been removed.

1. Autoclave the pipette at 121°C and 1 bar overpressure for 20 minutes.
2. Cool the pipette to ambient temperature and let it dry.

-  For maximum precision and accuracy, a gravimetric test is recommended after disassembly and autoclaving.
-  The pistons do **not** have to be relubricated and adjusted after autoclaving.

6.12 Decontamination before shipment



CAUTION! Use of a contaminated device may result in personal injuries and damage to the device.

- ▶ Clean and decontaminate the device in accordance with the cleaning instructions before shipping or storage.

Hazardous substances are:

- solutions presenting a hazard to health
 - potentially infectious agents
 - organic solvents and reagents
 - radioactive substances
 - proteins presenting a hazard to health
 - DNA
1. Please note the information in the document "Decontamination certificate for product returns".
You can find it as a PDF file on our webpage www.eppendorf.com.
 2. Enter the serial number of the device in the decontamination certificate.
 3. Enclose the completed decontamination certificate for returned goods with the device.
 4. Send the device to Eppendorf AG or an authorized service center.

7 Technical data

7.1 Increments of the single-channel and multi-channel pipettes

Model	Increment
0.1 µL – 2.5 µL	0.002 µL
0.5 µL – 10 µL	0.01 µL
2 µL – 20 µL	0.02 µL
2 µL – 20 µL	0.02 µL
10 µL – 100 µL	0.1 µL
20 µL – 200 µL	0.2 µL
30 µL – 300 µL	0.2 µL
100 µL – 1000 µL	1 µL
0.25 mL – 2.5 mL	0.002 mL
0.5 mL – 5 mL	0.005 mL
1 mL – 10 mL	0.01 mL

7.2 Ambient conditions

	Temperature range	Relative humidity
Storage without transport package	-5 °C — 45 °C	10 % — 95 %
Operating conditions	5 °C — 40 °C	10 % — 95 %

8 Measurement deviations according to Eppendorf AG

8.1 Single-channel pipette with fixed volume

Model	Testing tip epT.I.P.S.	Error of measurement			
		Systematic error		Random error	
		± %	± µL	± %	± µL
1 µL	0.1 µL – 10 µL	2.5	0.025	1.8	0.018
2 µL	dark gray 34 mm	2.0	0.04	1.2	0.024
5 µL	0.1 µL – 20 µL	1.2	0.06	0.6	0.03
10 µL	medium gray 40 mm	1.0	0.1	0.5	0.05
20 µL	0.5 µL – 20 µL L light gray 46 mm	0.8	0.16	0.3	0.06
10 µL	2 µL – 200 µL	1.2	0.12	0.6	0.06
20 µL	yellow	1.0	0.2	0.3	0.06
25 µL	53 mm	1.0	0.25	0.3	0.075
50 µL		0.7	0.35	0.3	0.15
100 µL		0.6	0.6	0.2	0.2
200 µL		0.6	1.2	0.2	0.4
200 µL		50 µL – 1000 µL	0.6	1.2	0.2
250 µL	blue	0.6	1.5	0.2	0.5
500 µL	71 mm	0.6	3.0	0.2	1.0
1000 µL		0.6	6.0	0.2	2.0
2.0 mL	0.5 mL – 2.5 mL	0.6	12	0.2	4
2.5 mL	red 115 mm	0.6	15	0.2	5

8.2 Single-channel pipette with variable volume

Model	Testing tip epT.I.P.S.	Testing volume	Error of measurement			
			Systematic error		Random error	
			± %	± µL	± %	± µL
0.1 µL – 2.5 µL	0.1 µL – 10 µL dark gray 34 mm	0.1 µL	48.0	0.048	12.0	0.012
		0.25 µL	12.0	0.03	6.0	0.015
		1.25 µL	2.5	0.031	1.5	0.019
		2.5 µL	1.4	0.035	0.7	0.018
0.5 µL – 10 µL	0.1 µL – 20 µL medium gray 40 mm	0.5 µL	8.0	0.04	5.0	0.025
		1 µL	2.5	0.025	1.8	0.018
		5 µL	1.5	0.075	0.8	0.04
		10 µL	1.0	0.10	0.4	0.04
2 µL – 20 µL	0.5 µL – 20 µL L light gray 46 mm	2 µL	3.0	0.06	1.5	0.03
		10 µL	1.0	0.10	0.6	0.06
		20 µL	0.8	0.16	0.3	0.06
2 µL – 20 µL	2 µL – 200 µL yellow 53 mm	2 µL	5.0	0.10	1.5	0.03
		10 µL	1.2	0.12	0.6	0.06
		20 µL	1.0	0.2	0.3	0.06
10 µL – 100 µL	2 µL – 200 µL yellow 53 mm	10 µL	3.0	0.3	0.7	0.07
		50 µL	1.0	0.5	0.3	0.15
		100 µL	0.8	0.8	0.2	0.2
20 µL – 200 µL	2 µL – 200 µL yellow 53 mm	20 µL	2.5	0.5	0.7	0.14
		100 µL	1.0	1.0	0.3	0.3
		200 µL	0.6	1.2	0.2	0.4
30 µL – 300 µL	20 µL – 300 µL orange 55 mm	30 µL	2.5	0.75	0.7	0.21
		150 µL	1.0	1.5	0.3	0.45
		300 µL	0.6	1.8	0.2	0.6
100 µL – 1000 µL	50 µL – 1000 µL blue 71 mm	100 µL	3.0	3.0	0.6	0.6
		500 µL	1.0	5.0	0.2	1.0
		1000 µL	0.6	6.0	0.2	2.0
0.25 mL – 2.5 mL	0.25 mL – 2.5 mL red 115 mm	0.25 mL	4.8	12	1.2	3
		1.25 mL	0.8	10	0.2	2.5
		2.5 mL	0.6	15	0.2	5
0.5 mL – 5 mL	0.1 mL – 5 mL violet 120 mm	0.5 mL	2.4	12	0.6	3
		2.5 mL	1.2	30	0.25	6
		5.0 mL	0.6	30	0.15	7.5

Model	Testing tip epT.I.P.S.	Testing volume	Error of measurement			
			Systematic error		Random error	
			± %	± µL	± %	± µL
0.5 mL – 5 mL	0.1 mL – 5 mL L violet 175 mm	0.5 mL	5.0	25	1.0	5.0
		2.5 mL	3.0	75	0.9	22.5
		5.0 mL	2.0	100	0.8	40
1 mL – 10 mL	1 mL – 10 mL turquoise 165 mm	1.0 mL	3.0	30	0.6	6
		5.0 mL	0.8	40	0.2	10
		10.0 mL	0.6	60	0.15	15
1 mL – 10 mL	1 mL – 10 mL L turquoise 243 mm	1.0 mL	6.0	6	1.0	10
		5.0 mL	3.0	150	0.9	45
		10.0 mL	2.0	200	0.7	70

8.3 Multi-channel pipette

Model	Testing tip epT.I.P.S.	Testing volume	Error of measurement			
			Systematic error		Random error	
			± %	± µL	± %	± µL
0.5 µL – 10 µL	0.1 µL – 20 µL medium gray 40 mm	0.5 µL	12.0	0.06	8.0	0.04
		1 µL	8.0	0.08	5.0	0.05
		5 µL	4.0	0.2	2.0	0.1
		10 µL	2.0	0.2	1.0	0.1
10 µL – 100 µL	2 µL – 200 µL yellow 53 mm	10 µL	3.0	0.3	2.0	0.2
		50 µL	1.0	0.5	0.8	0.4
		100 µL	0.8	0.8	0.3	0.3
30 µL – 300 µL	20 µL – 300 µL orange 55 mm	30 µL	3.0	0.9	1.0	0.3
		150 µL	1.0	1.5	0.5	0.75
		300 µL	0.6	1.8	0.3	0.9

8.4 Test conditions

Test conditions and test analysis in accordance with the standard ISO 8655, Part 6. The inspections are performed with a calibrated analytical balance with evaporation protection.

- Number of determinations per volume: 10
- Water according to ISO 3696
- Inspection at 20 °C – 27 °C ±0.5 °C
- Dispensing onto the tube inner wall

9 Ordering information

9.1 Single-channel pipettes, variable volume

Order no. (International)	Order no. (North America)	Description
		Eppendorf Reference 2, variable Single-channel; serial number on upper and lower part
4924 000.010	4924000010	dark gray, 0.1 - 2.5 µL
4924 000.029	4924000029	medium gray, 0.5 - 10 µL
4924 000.037	4924000037	light gray, 2 - 20 µL
4924 000.045	4924000045	yellow, 2 - 20 µL
4924 000.053	4924000053	yellow, 10 - 100 µL
4924 000.061	4924000061	yellow, 20 - 200 µL
4924 000.070	4924000070	orange, 30 - 300 µL
4924 000.088	4924000088	blue, 100 - 1000 µL
4924 000.096	4924000096	red, 0.25 - 2.5 mL
4924 000.100	4924000100	violet, 0.5 - 5 mL
4924 000.118	4924000118	turquoise, 1 - 10 mL

9.2 Single-channel pipettes, fixed volume

Order no. (International)	Order no. (North America)	Description
		Eppendorf Reference 2, fixed Single-channel; serial number on upper and lower part
4925 000.014	4925000014	dark gray, 1 µL
4925 000.022	4925000022	dark gray, 2 µL
4925 000.030	4925000030	medium gray, 5 µL
4925 000.049	4925000049	medium gray, 10 µL
4925 000.057	4925000057	yellow, 10 µL
4925 000.065	4925000065	light gray, 20 µL
4925 000.073	4925000073	yellow, 20 µL
4925 000.081	4925000081	yellow, 25 µL
4925 000.090	4925000090	yellow, 50 µL
4925 000.103	4925000103	yellow, 100 µL
4925 000.111	4925000111	yellow, 200 µL
4925 000.120	4925000120	blue, 200 µL
4925 000.138	4925000138	blue, 250 µL
4925 000.146	4925000146	blue, 500 µL
4925 000.154	4925000154	blue, 1000 µL
4925 000.162	4925000162	red, 2 mL
4925 000.170	4925000170	red, 2.5 mL

9.3 Multi-channel pipettes

Order no. (International)	Order no. (North America)	Description
		Eppendorf Reference 2, variable
4926 000.018	4926000018	8-channel; serial number on upper and lower part medium gray, 0.5 - 10 µL
4926 000.034	4926000034	yellow, 10 - 100 µL
4926 000.050	4926000050	orange, 30 - 300 µL
		Eppendorf Reference 2, variable
		12-channel; serial number on upper and lower part
4926 000.026	4926000026	medium gray, 0.5 - 10 µL
4926 000.042	4926000042	yellow, 10 - 100 µL
4926 000.069	4926000069	orange, 30 - 300 µL

9.4 Spare parts, accessories and pipette tips



The ordering information can be found on our website
www.eppendorf.com/manuals.

Evaluate Your Manual

Give us your feedback.

www.eppendorf.com/manualfeedback

Your local distributor: www.eppendorf.com/contact

Eppendorf AG · 22331 Hamburg · Germany

eppendorf@eppendorf.com · www.eppendorf.com